

Listening 3B U2 p.5-8

Date: _____

Practice

Alan is doing a project. He is telling his dad about it.

Listen to the conversation. Choose the best answer by blackening ● the circle.

My best friend

Pay attention to the beginning sound.



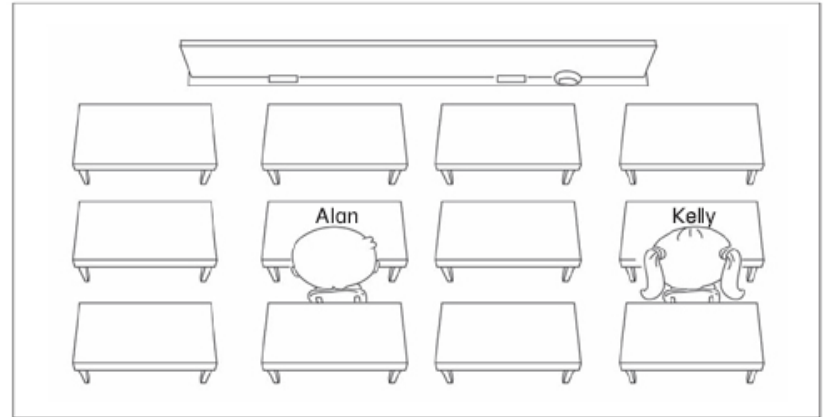
- My best friend is _____.
 - A. Gary
 - B. Harry
 - C. Jerry
 - D. Larry
- He is _____.
 - A. 6
 - B. 7
 - C. 8
 - D. 9
- We are in Class _____.
 - A. 3A
 - B. 3B
 - C. 3C
 - D. 3D
- I like him because he is _____. (You can choose more than one answer.)
 - A. helpful
 - B. hard-working
 - C. honest
 - D. polite
- He is good at _____. (You can choose more than one answer.)
 - A. Chinese
 - B. English
 - C. Maths
 - D. Music

You will not hear the adjectives in the options. Listen carefully to what Alan says and work out the answer.



Date: _____

- 6 Where does Alan's best friend sit? Put a cross (X).



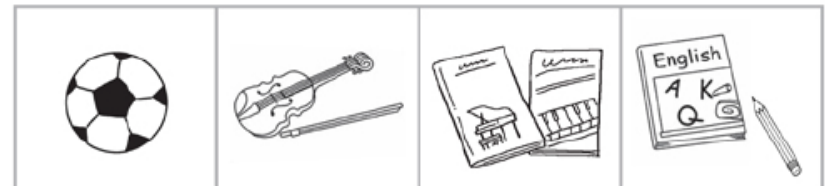
- 7 How does Alan feel?

What does Alan say? How does he say it?



- A. B. C. D.

- 8 What does Alan's best friend need on Fridays?



- A. B. C. D.

Date: _____

Practice 2

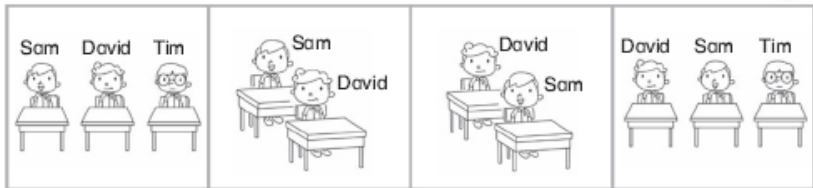
Alan's classmate David is reading a poem.  

Listen to the poem. Choose the best answer by blackening ● the circle.

David is the writer of the poem.

I / me = David 

1 Where does Sam sit?

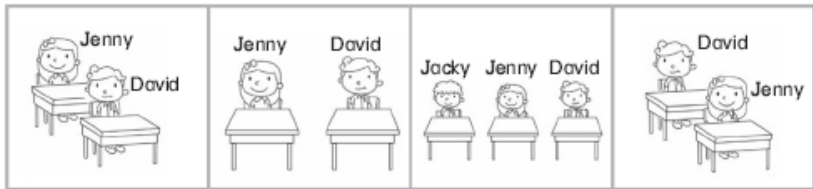


- A. B. C. D.

2 Why does David like Sam?

- A. He is clever. B. He is friendly.
 C. He is funny. D. He is polite.

3 Where does Jenny sit?



- A. B. C. D.

4 Who is Jenny?

Why does David like Jenny? 



- A. B. C. D.

Date: _____

5 Which subject is Jacky good at?



- A. B. C. D.

6 Which pair of words rhyme?

- A. B.
 C. D.

7 Who is David's best friend?

- A. Benny
 B. Jenny
 C. Penny
 D. Kenny

8 David's best friend is good at _____.

What can David's best friend do? 

- ① Chinese
- ② Maths
- ③ Music
- ④ Computer Studies

- A. ① and ③
 B. ③ and ④
 C. ② and ④
 D. ② and ③